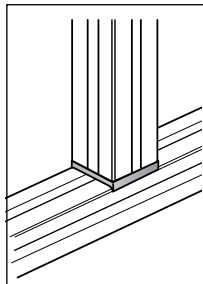


Section 9: Caps and Finishing Elements

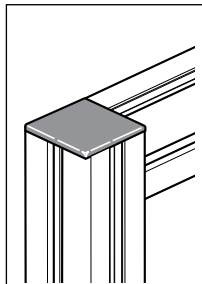
# Overview

The wide variety of caps, end pieces, and T-slot covers helps you improve safety, as well as add a clean, finished appearance to your aluminum framing structure.

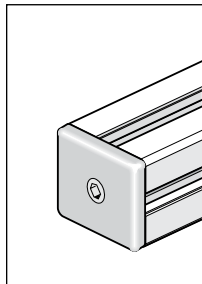
You can create your own design and style by combining different colors of end caps and T-slot covers and, at the same time, add safety by covering the open ends of profiles and enclosing cables that run along the T-slots.



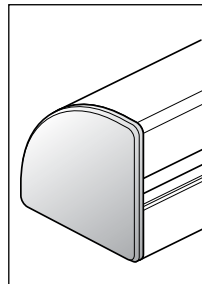
Radius Compensators  
9-1



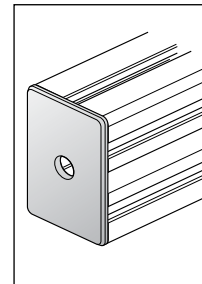
Square & Rectangular End Caps  
9-2 & 9-3



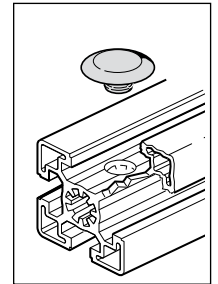
Heavy-Duty End Caps  
9-3



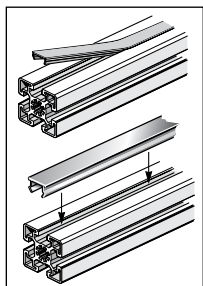
Radius & Specialty End Caps  
9-4



End Caps with Holes  
9-5



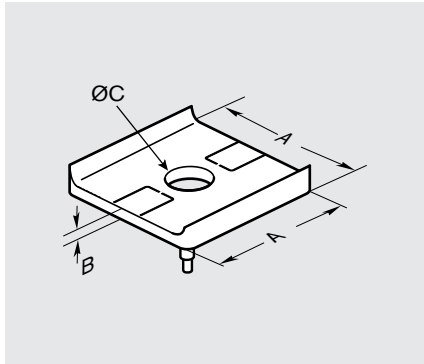
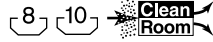
Access Hole Covers  
9-5



T-Slot Covers  
9-6

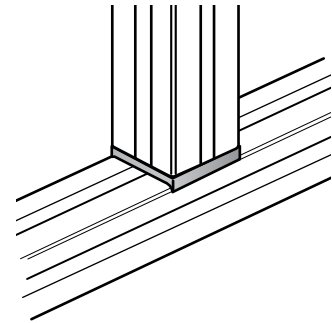
Section 9: Caps and Finishing Elements

Radius Compensators



Features:

- Eliminates gaps and edges created when two profiles are connected in a T-junction
- Available for 30x30, 40x40, and 45x45 profiles
- Ideal for use in clean rooms or any other location where a smooth surface is a must



Material:

- Light gray polyamide 6

Radius Compensator	Dimension in mm		
	A	B	ØC
30x30	30	3	8.3
40x40	40	3	12.3
45x45	45	3	12.3

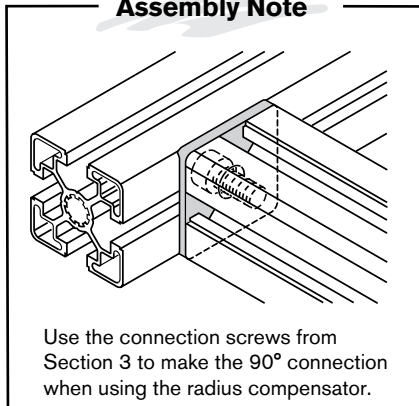
Description

Lot Size

Part Number

Radius compensator, 30x30	1	3 842 524 415
Radius compensator, 40x40	1	3 842 529 026
Radius compensator, 45x45	1	3 842 524 414

Assembly Note



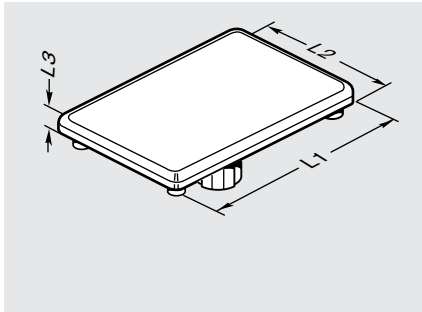
Technical Data

	⌀ (±5%)			
<b>30x30</b>	8	⌀ 25Nm	600 N	37 Nm
	8→8	⌀ 12Nm	600 N	28 Nm
<b>40x40</b>	10	⌀ 30Nm	1000 N	47 Nm
	10→10	⌀ 22Nm	1000 N	55 Nm
<b>45x45</b>	10	⌀ 35Nm	1200 N	59 Nm
	10→10	⌀ 25Nm	1200 N	59 Nm

The above values were determined under static conditions and are guide values only. Allow appropriate safety margins during planning!

Section 9: Caps and Finishing Elements

# End Caps and Covers

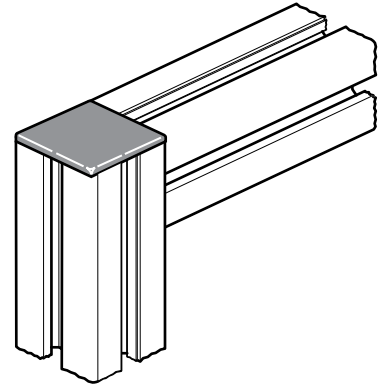


**Features:**

- Provide clean, finished appearance
- Available in several colors
- Conductive ESD-safe versions available in several sizes
- Easy installation—no tools needed

**Material:**

- Standard end caps: polyamide 6
- ESD-safe end caps: polyamide 12



Description	Use with Profile		Thickness (mm)		ESD-Safe	Lot Size	Part Number
	L1	L2	L3	Color			
End cap	11	x 20	3	Black		1	3 842 513 584
End cap	15	x 22.5	3	Black		1	3 842 537 594
End cap	20	x 20	2	Black		1	3 842 517 243 <i>GoTo</i>
End cap	20	x 20	2	Gray		1	3 842 517 614
End cap	20	x 60	2	Black		1	3 842 523 354
End cap	22.5	x 45	4	Black		1	3 842 501 577
End cap	22.5	x 180	4	Black		1	3 842 503 844
End cap	30	x 30	3	Black		1	3 842 501 232 <i>GoTo</i>
End cap	30	x 30	3	Black		1	3 842 517 057
End cap	30	x 30	3	Light Gray		1	3 842 516 506
End cap	30	x 45	3	Black		1	3 842 531 219
End cap	60	x 60 8S	3	Gray		1	3 842 535 586
End cap	40	x 40	4	Black		1	3 842 528 968
End cap	40	x 40	4	Gray		1	3 842 536 437
End cap	40	x 80	4	Black		1	3 842 529 036
End cap	40	x 80	4	Gray		1	3 842 536 436
End cap	45	x 45 (& 45x45H)	4	Black		1	3 842 502 674 <i>GoTo</i>
End cap	45	x 45 (& 45x45H)	4	Black		1	3 842 517 058
End cap	45	x 45 (& 45x45H)	4	Light Gray		1	3 842 517 059

Section 9: Caps and Finishing Elements

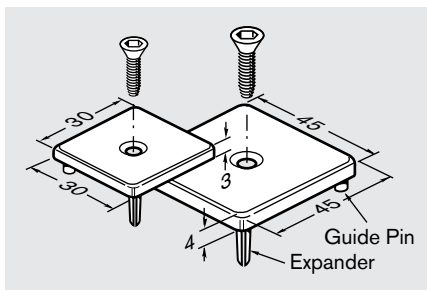
**Square and Rectangular End Caps for Structural Profiles (continued)**



Description	Use with Profile		Thickness (mm)		Color	ESD-Safe	Lot Size	Part Number
	L1	L2	L3					
End cap	45	x 60H	4		Black		1	3 842 515 122
End cap	45	x 60H	4		Black		1	3 842 517 855
End cap	45	x 90 (& 45x90H)	4		Black		1	3 842 511 783 <b>GoTo</b>
End cap	45	x 90	4		Grey		1	3 842 536 438
End cap	45	x 180H	4		Black		1	3 842 503 845
End cap	50	x 50*	4		Black		1	3 842 528 969
End cap	50	x 150	4		Black		1	3 842 529 052
End cap	60	x 60 (& 60x60H)	4		Black		1	3 842 511 874 <b>GoTo</b>
End cap	60	x 90H	4		Black		1	3 842 510 293
End cap	80	x 80	4		Black		1	3 842 529 039
End cap	80	x 120	4		Black		1	3 842 529 053
End cap	90	x 90	4		Black		1	3 842 516 214
End cap	90	x 90H	4		Black		1	3 842 242 400
End cap	100	x 100	4		Black		1	3 842 529 042

\* Use two end caps for 50 x 100 applications

**Heavy-Duty End Caps**

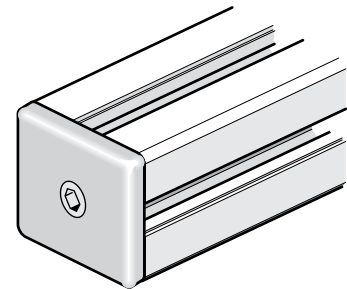


**Features:**

- Shockproof—suitable for heavy usage
- Guide pin aids in alignment
- Center expander securely locks end cap in place when self-tapping screw (included) is inserted

**Material:**

- End cap: Die cast zinc
- Screw: Zinc plated steel



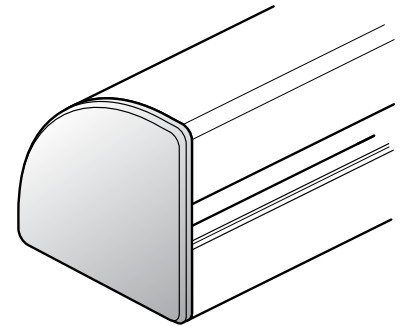
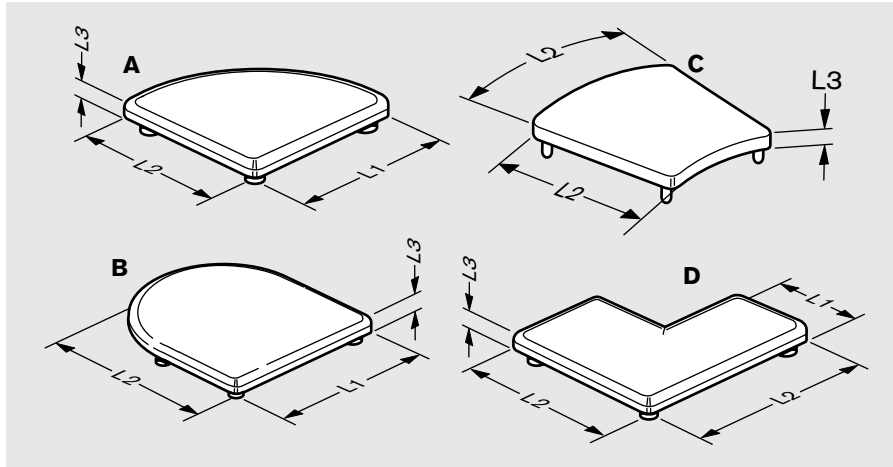
Description	Lot Size	Part Number
30x30 heavy-duty end cap, 3mm thick	1	3 842 518 204
45x45 heavy-duty end cap, 4mm thick	1	3 842 518 205

GoTo [boschrexroth-us.com/framing](http://boschrexroth-us.com/framing) to get these in stock items **FAST** from your local distributor

Section 9: Caps and Finishing Elements

# End Caps and Covers

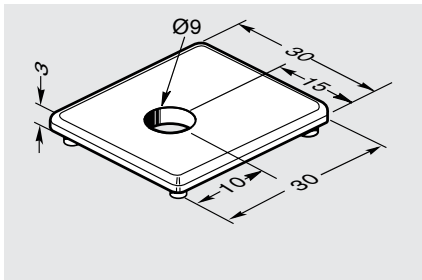
## Radius and Specialty End Caps



- Provide clean, finished appearance
- Easy installation—no tools needed
- Standard end caps: polyamide 6
- ESD-safe end caps: polyamide 12

Description	Use with Profile		Thickness (mm)	Color	ESD-Safe	Lot Size	Part Number
	L1	L2					
End cap	20	x 20R	(Drawing A)	2	Black	1	3 842 517 247
End cap	30	x 30R	(Drawing A)	3	Black	1	3 842 517 248
End cap	40	x 40R	(Drawing A)	4	Black	1	3 842 529 044
End cap	40	x 40HR	(Drawing B)	4	Black	1	3 842 530 136
End cap	45	x 45R	(Drawing A)	4	Black	1	3 842 517 250
End cap	45	x 45HR	(Drawing B)	4	Black	1	3 842 521 265
End cap	30	x 30°R	(Drawing C)	3	Black	1	3 842 524 050
End cap	30	x 45°R	(Drawing C)	3	Black	1	3 842 524 051
End cap	30	x 60°R	(Drawing C)	3	Black	1	3 842 524 052
End cap	45	x 30°R	(Drawing C)	4	Black	1	3 842 524 053
End cap	45	x 45°R	(Drawing C)	4	Black	1	3 842 524 054
End cap	45	x 60°R	(Drawing C)	4	Black	1	3 842 524 055

## EcoSafe End Cap



**Features:**

- Provide clean, finished appearance
- Easy installation—no tools needed
- Center hole allows use with leveling feet, casters, and some end connectors
- Designed specifically for EcoSafe frame profiles

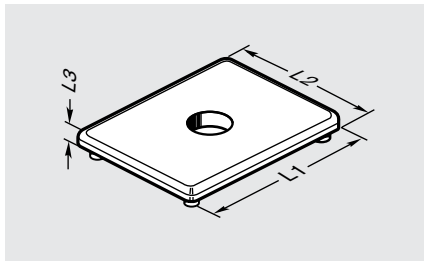
**Material:**

- Polyamide 6

Description	Lot Size	Part Number
EcoSafe end cap w/hole for 30x30 WG30 & WG40 profiles	1	3 842 522 345

Section 9: Caps and Finishing Elements

### End Caps with Holes *GoTo*

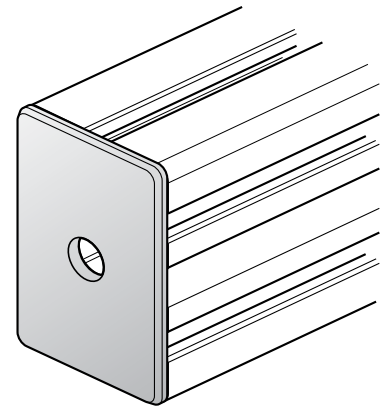


**Features:**

- Provide clean, finished appearance
- Easy installation—no tools needed
- Center hole allows use with leveling feet, casters, and some end connectors

**Material:**

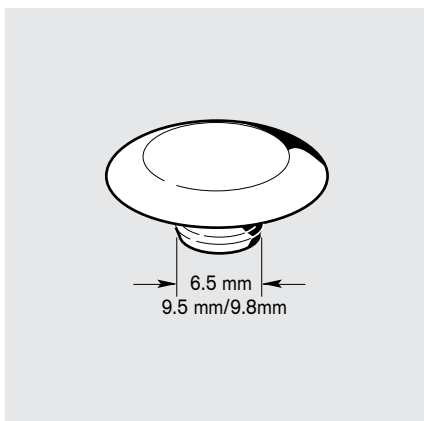
- Standard end caps: polyamide 6



Description	Use with Profile		Thickness (mm)		Color	ESD-Safe	Lot Size	Part Number
	L1	L2	L3					
End cap w/hole	30	x 30	3		Black		1	3 842 503 143
End cap w/hole	30	x 45	3		Black		1	3 842 531 220
End cap w/hole	45	x 45	4		Black		1	3 842 523 442 <i>GoTo</i>
End cap w/hole	45	x 60	4		Black		1	3 842 191 094
End cap w/hole	45	x 90	4		Black		1	3 842 511 855
End cap w/hole	60	x 60	4		Black		1	3 842 511 876
End cap w/hole	60	x 90	4		Black		1	3 842 514 663
End cap w/hole	90	x 90	4		Black		1	3 842 514 664

9

### Access Hole Covers

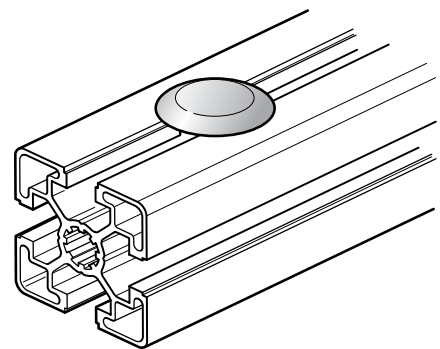


**Features:**

- Used to cover access holes in profiles
- Provide neat, finished appearance
- Easy installation—no tools needed

**Material:**

- Polyamide 6



Description	Lot Size	Part Number
6.5mm access hole cover, black <sup>†</sup>	1	8 981 005 305
9.5/9.8mm access hole cover, black	1	8 981 005 306

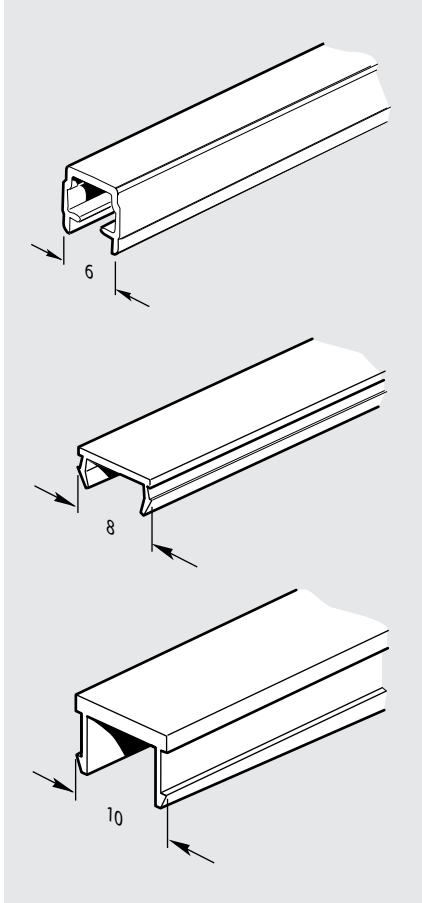
<sup>†</sup> NOTE: Can NOT be used with 7.8mm access holes.

*GoTo* [boschrexroth-us.com/framing](http://boschrexroth-us.com/framing) to get these in stock items **FAST** from your local distributor

Section 9: Caps and Finishing Elements

# End Caps and Covers *GoTo*

## T-Slot Covers 6 8 10

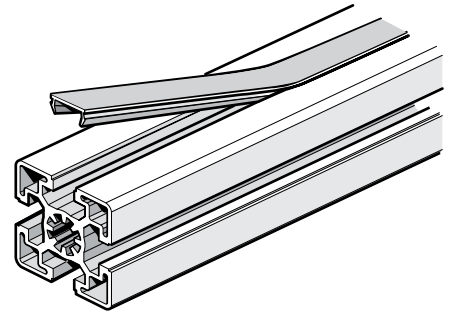


**Features:**

- Provide clean, finished appearance
- Can be used to conceal wires
- Prevent accumulation of dirt and debris in the T-slot
- Available in several colors

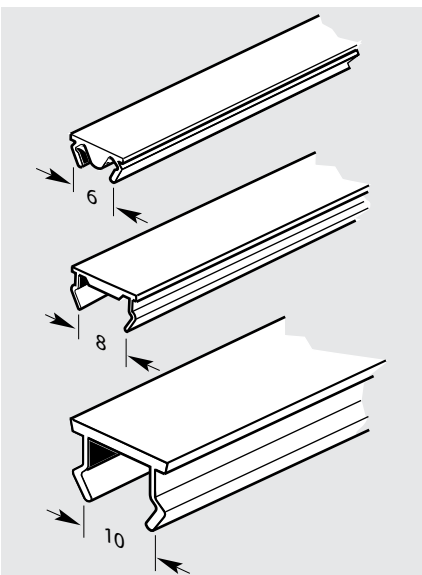
**Material:**

- Rigid PVC



Description	L = Length		Color	Lot Size	Part Number
6mm T-slot cover	2000 mm	<span>6</span>	black	1	<b>3 842 518 343</b>
6mm T-slot cover	10 m	<span>6</span>	light gray	1	<b>3 842 542 435</b>
8mm T-slot cover	2000 mm	<span>8</span>	black	1	<b>3 842 501 962 <i>GoTo</i></b>
8mm T-slot cover	2000 mm	<span>8</span>	opaque	1	<b>3 842 503 073</b>
8mm T-slot cover	2000 mm	<span>8</span>	light gray	1	<b>3 842 518 375</b>
8mm T-slot cover	2000 mm	<span>8</span>	red	1	<b>3 842 518 376</b>
8mm T-slot cover	2000 mm	<span>8</span>	yellow	1	<b>3 842 518 377</b>
8mm T-slot cover	2000 mm	<span>8</span>	blue	1	<b>3 842 538 956</b>
8mm T-slot cover	2000 mm	<span>8</span>	orange	1	<b>3 842 538 958</b>
10mm T-slot cover	2000 mm	<span>10</span>	black	1	<b>3 842 146 901 <i>GoTo</i></b>
10mm T-slot cover	2000 mm	<span>10</span>	clear	1	<b>3 842 191 182</b>
10mm T-slot cover	2000 mm	<span>10</span>	light gray	1	<b>3 842 518 367 <i>GoTo</i></b>
10mm T-slot cover	2000 mm	<span>10</span>	red	1	<b>3 842 518 368</b>
10mm T-slot cover	2000 mm	<span>10</span>	yellow	1	<b>3 842 518 369</b>
10mm T-slot cover	2000 mm	<span>10</span>	blue	1	<b>3 842 538 955</b>
10mm T-slot cover	2000 mm	<span>10</span>	orange	1	<b>3 842 538 957</b>

## Aluminum T-Slot Covers 6 8 10 *GoTo*

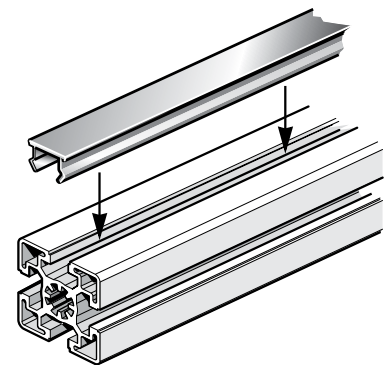


**Features:**

- Matches aluminum profile to create clean, finished appearance
- Can be used to conceal wires
- Prevents accumulation of dirt and debris in the T-slot
- Perfect for clean room applications
- Sold in 2000mm lengths

**Material:**

- Anodized aluminum



Description		Lot Size	Part Number
6mm aluminum T-slot cover	<span>6</span>	1	<b>3 842 523 254</b>
8mm aluminum T-slot cover	<span>8</span>	1	<b>3 842 523 256</b>
10mm aluminum T-slot cover	<span>10</span>	1	<b>3 842 523 258 <i>GoTo</i></b>

*GoTo* [boschrexroth-us.com/framing](http://boschrexroth-us.com/framing) to get these in stock items **FAST** from your local distributor

Section 9: Caps and Finishing Elements

# Notes