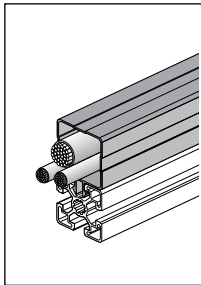


Section 12: Accessories

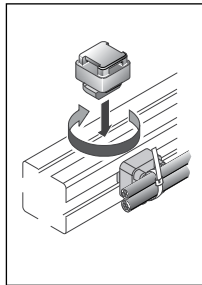
# Overview

Creating flexibility in your workplace is easy when you customize with Bosch Rexroth accessories. Each item in the “Accessories” section is compatible with all

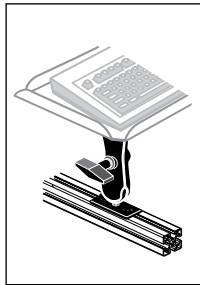
other elements in the Rexroth structural framing system. That means modifying existing structures and creating new ones is quick and easy.



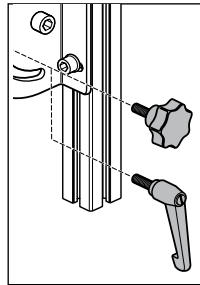
Cable Conduit & End Cap  
12-1



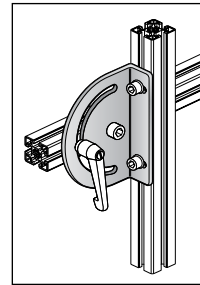
Cable Carrier  
12-2



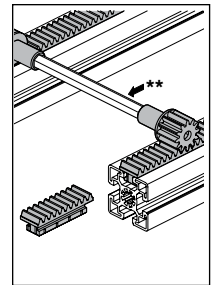
R-A-M® Mount  
12-1



Star Knobs & Locking Levers  
12-3



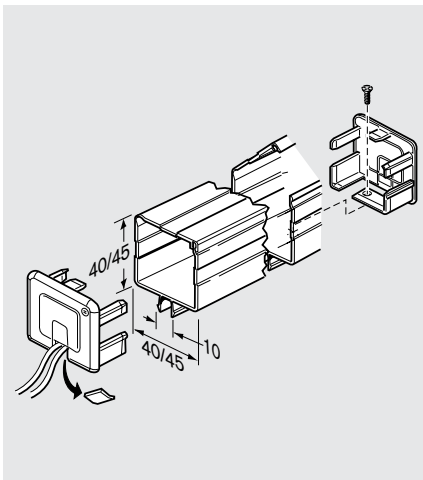
Swivel Bracket Kits  
12-4



Rack & Pinion Components  
12-5

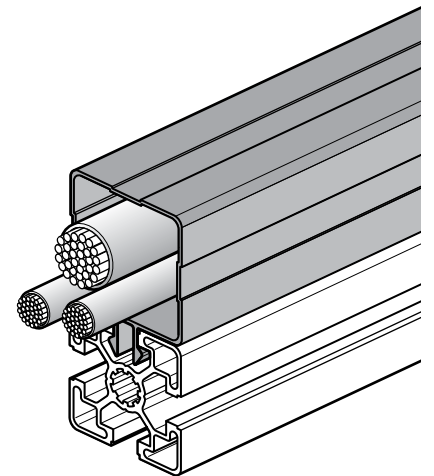
# Accessories

## Cable Conduit & End Cap **GoTo**



**Features:**

- Provides an attractive and protective conduit to hold several cables, electrical wires, etc. on profile structures
- Black plastic matches end caps and T-slot cover strips
- Clip-open top simplifies insertion and routing of cables, even on completed structures
- Snaps easily into the T-slot of 10mm T-slotted profiles
- Available in 40x40 size for 40-series profiles and in 45x45 size for 45-series profiles
- End caps (sold separately) clip into place or can be secured with a screw (included with cap)
- End caps feature removable tabs to allow easing routing of cables through conduit ends



**Material:**

- Cable conduit: black PVC plastic
- End caps: black polyamide 6

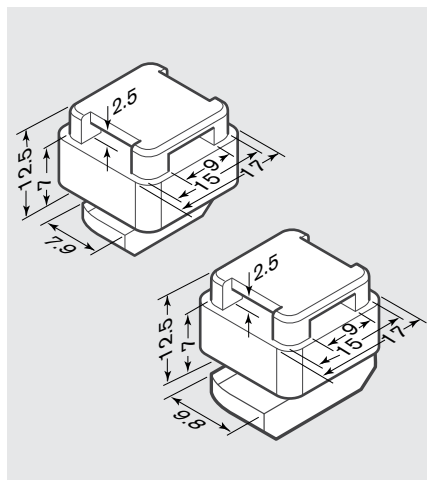
Description	Lot Size*	Part Number
Cable conduit 40x40, 2000mm long	1	<b>3 842 532 363</b>
End cap for cable conduit 40x40	10	<b>3 842 535 921</b>
Cable conduit 45x45, 2000mm long	1	<b>3 842 523 014</b> <i>GoTo</i>
End cap for cable conduit 45x45	10	<b>3 842 535 676</b>

\* For smaller quantities, please contact your local distributor.

Section 12: Accessories

# Accessories

## Cable Carrier *GoTo*

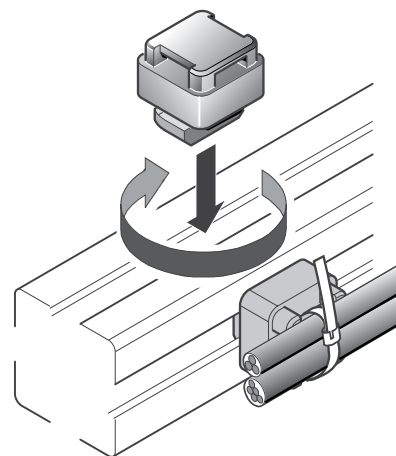


**Features:**

- Attach electrical wires or pneumatic tubing directly to a structure's frame using a standard wire tie
- Simple twist-lock installation makes them easy to install and remove
- Available for 8mm and 10mm T-slots

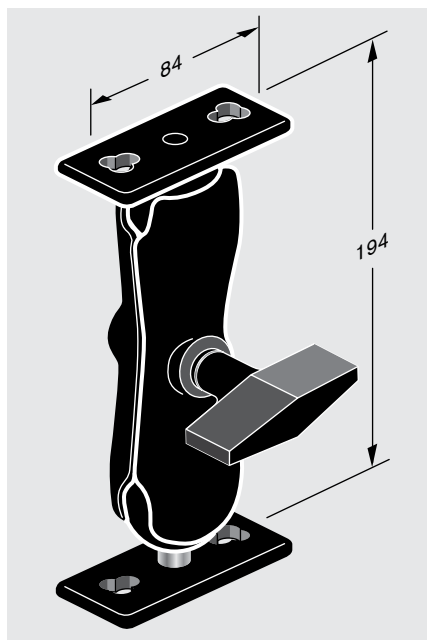
**Material:**

- Black polyamide



Description	Lot Size	Part Number
Cable carrier for 8mm T-slots	1	<b>3 842 526 565</b> <i>GoTo</i>
Cable carrier for 10mm T-slots	1	<b>3 842 526 564</b> <i>GoTo</i>

## R-A-M® Mount



**Features:**

- Provides a fully adjustable, two-joint connection between two surfaces
- Locking handle secures the R-A-M mount in the desired position
- Perfect for fixturing or adjustable equipment mounts
- T-bolt fastening kit for installation profile sold separately (see Section 4)

**Material:**

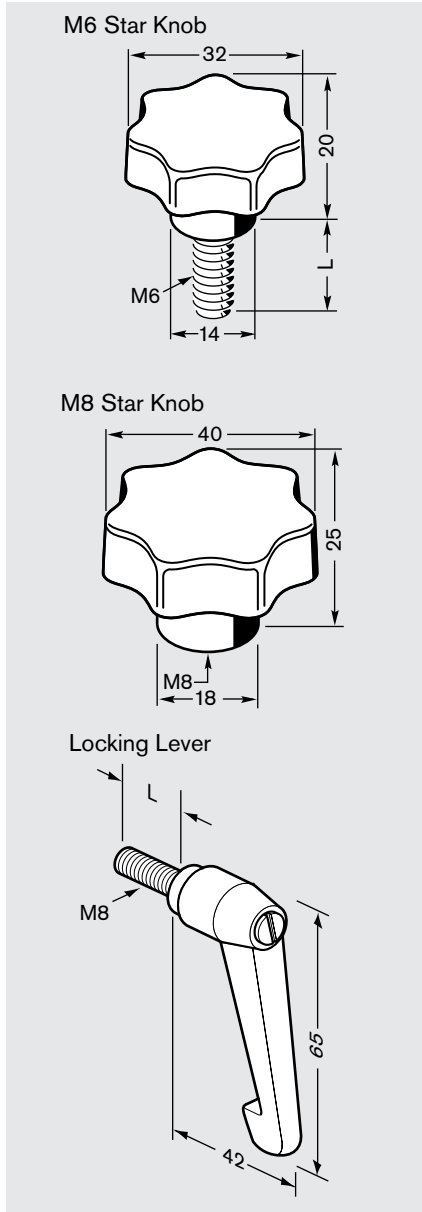
- Mounting plates and R-A-M mount body: black die-cast aluminum
- Adjustment balls: rubber
- Hardware: stainless steel



Description	Lot Size	Part Number
R-A-M® mount	1	<b>8 981 019 573</b>

Section 12: Accessories

### Star Knobs and Locking Levers

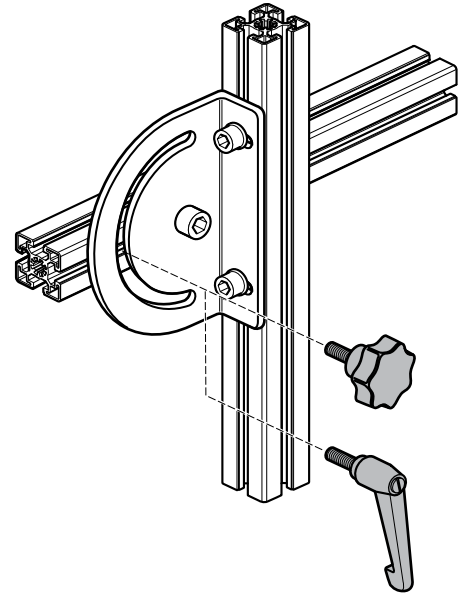


**Features:**

- Use star knobs or locking levers on multi-angle connectors and T-fasteners to allow quick and easy changes
- Star knobs are available with M6 threaded shafts in two lengths: 15mm and 20mm
- Star knob with M8 internal threads is available for use with T-bolts and other screws with M8 threads
- Locking levers are available with M8 threaded shafts in four lengths: 12mm, 20mm, 40mm, and 55mm

**Material:**

- Lever and knob: polyamide
- Lever spindle: pressure die-cast zinc
- Threaded stem: galvanized steel class 5.8

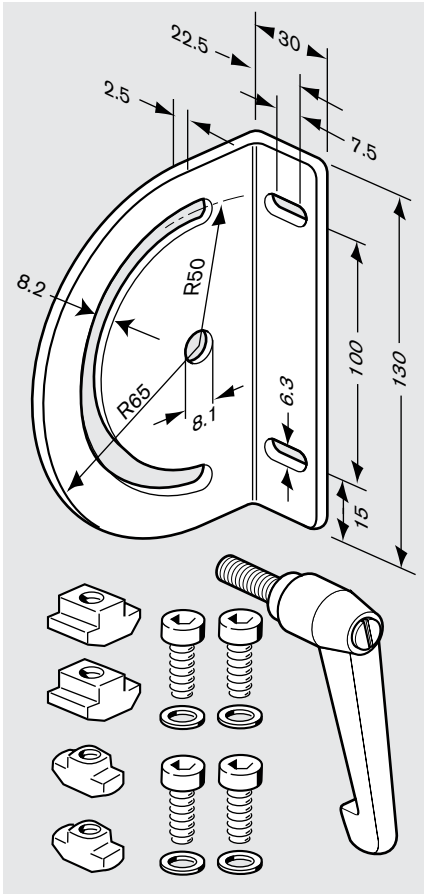


Description	Lot Size	Part Number
M6 star knob with stem L = 15mm	1	3 842 516 849
M6 star knob with stem L = 20mm	1	3 842 516 850
M8 star knob with internal threads	1	3 842 516 851
M8 locking lever with stem L = 12mm	1	3 842 516 845
M8 locking lever with stem L = 20mm	1	3 842 516 846
M8 locking lever with stem L = 40mm	1	3 842 516 847
M8 locking lever with stem L = 55mm	1	3 842 516 848

Section 12: Accessories

# Accessories

## Swivel Bracket Kits

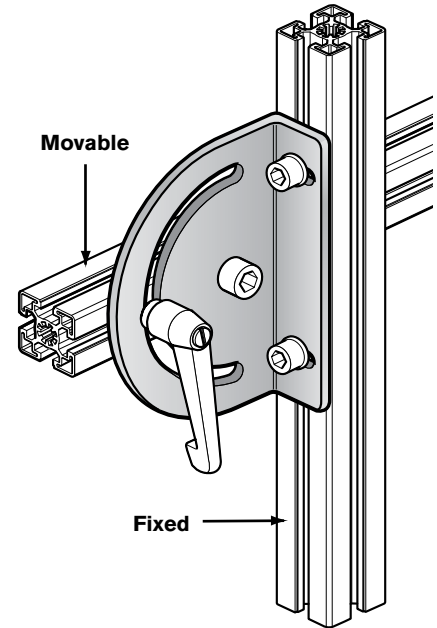




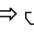

**Features:**

- Ideal for attaching shelves, fixtures, etc. that can be positioned at variable angles and locked in place
- Allows up to 180° range of motion
- Can handle moments (FxL) up to  $m_{max} = 40Nm$
- Select swivel bracket kit by T-slot size of movable profile and fixed profile
- Include bracket, locking lever, all necessary mounting hardware, and instruction sheet




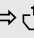
**Material:**


- Swivel bracket: galvanized steel
- Locking lever handle: black polyamide
- Spindle: pressure die-cast zinc
- Hardware: zinc-plated steel
- Threaded stem: galvanized steel class 5.8



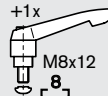
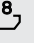
Description	P1 ⇒ P2	Lot Size	Part Number
Movable Swivel bracket kit <b>A</b>	 ⇒   ⇒ 	1	<b>3 842 538 275</b>
Movable Swivel bracket kit <b>B</b>	 ⇒   ⇒ 	1	<b>3 842 538 276</b>

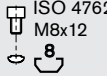
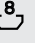
**A**


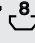
 ⇒   ⇒ 

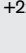




---


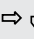

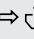
+1x  


ISO 4762  

+2x ISO 4762  DIN 125 A6.4 

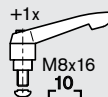

+2x ISO 4762  DIN 125 A6.4 


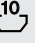
**B**


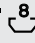
 ⇒   ⇒ 


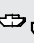



---

+1x  

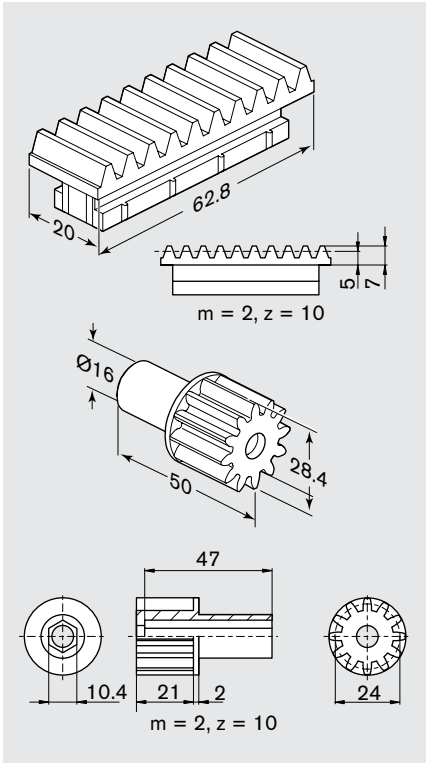
ISO 4762  

+2x ISO 4762  DIN 125 A6.4 

+2x ISO 4762  DIN 125 A6.4 

Section 12: Accessories

**Rack and Pinion Components** 

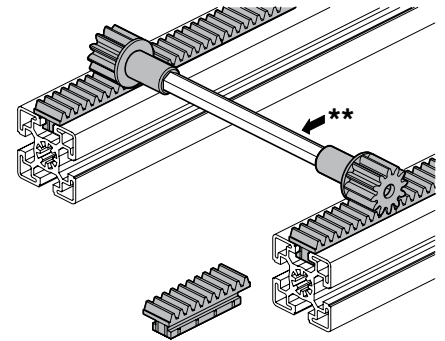


**Features:**

- Used for synchronized or controlled movement of components
- Pinion gear presses onto standard 10mm hex shaft
- Rack inserts fit into a 10mm T-slot and provide a snug fit to ensure smooth, controlled movement

**Material:**

- Pinion gear: white polyoxymethylene
- Rack: black polyamide



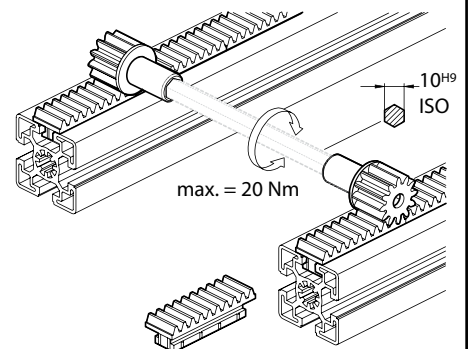
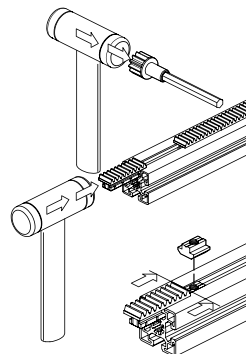
Description	Lot Size*	Part Number
Pinion (for use with 10mm hex shaft)	1	<b>3 842 501 576</b>
Rack insert for 10mm T-slot	10	<b>3 842 501 578</b>

\* For smaller quantities, please contact your local distributor.

\*\* Drive shaft not included

**Assembly Note**

Use a soft-faced hammer to tap the pinion gear onto the hex shaft and to tap the racks into the profile's T-slot.



Depending on your application, you may want to use 10mm T-blocks at each end to lock the rack inserts in place.

Section 12: Accessories

# Notes